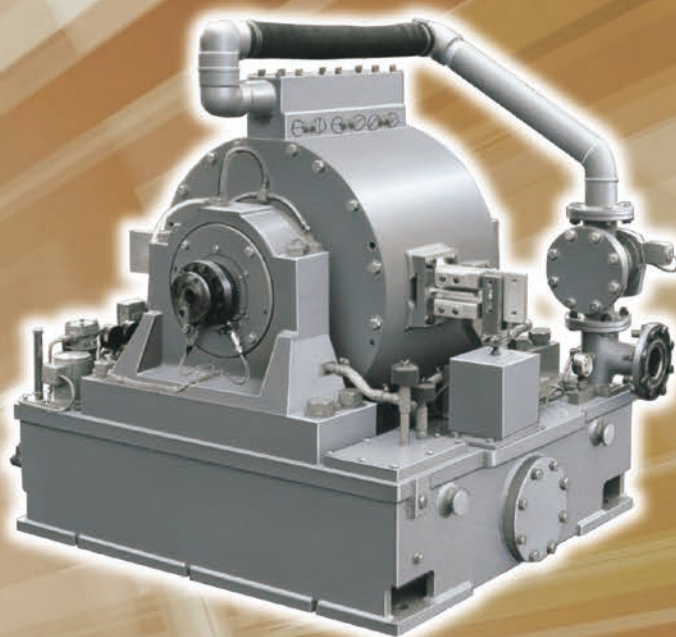


High-Speed
Large-Capacity Series

MEIDEN

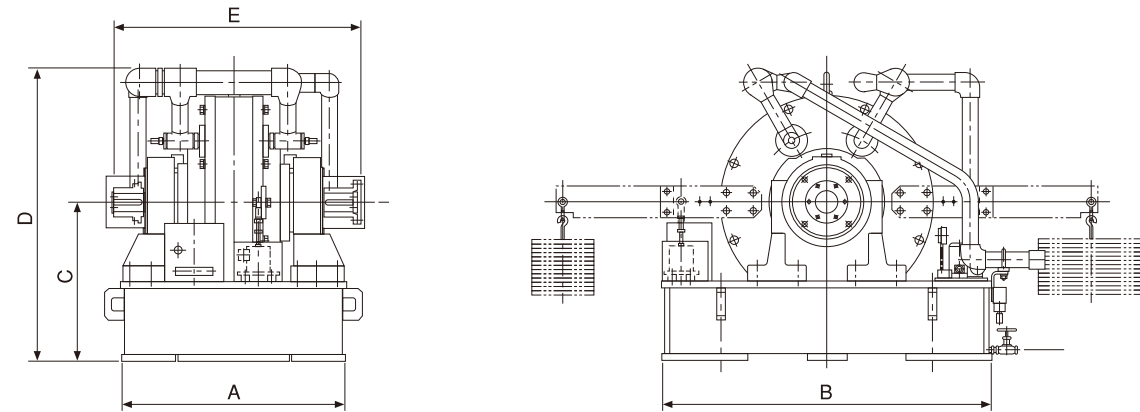
EDDIC Dynamometers



EWD-N • EWD-R Series

Empower for new days

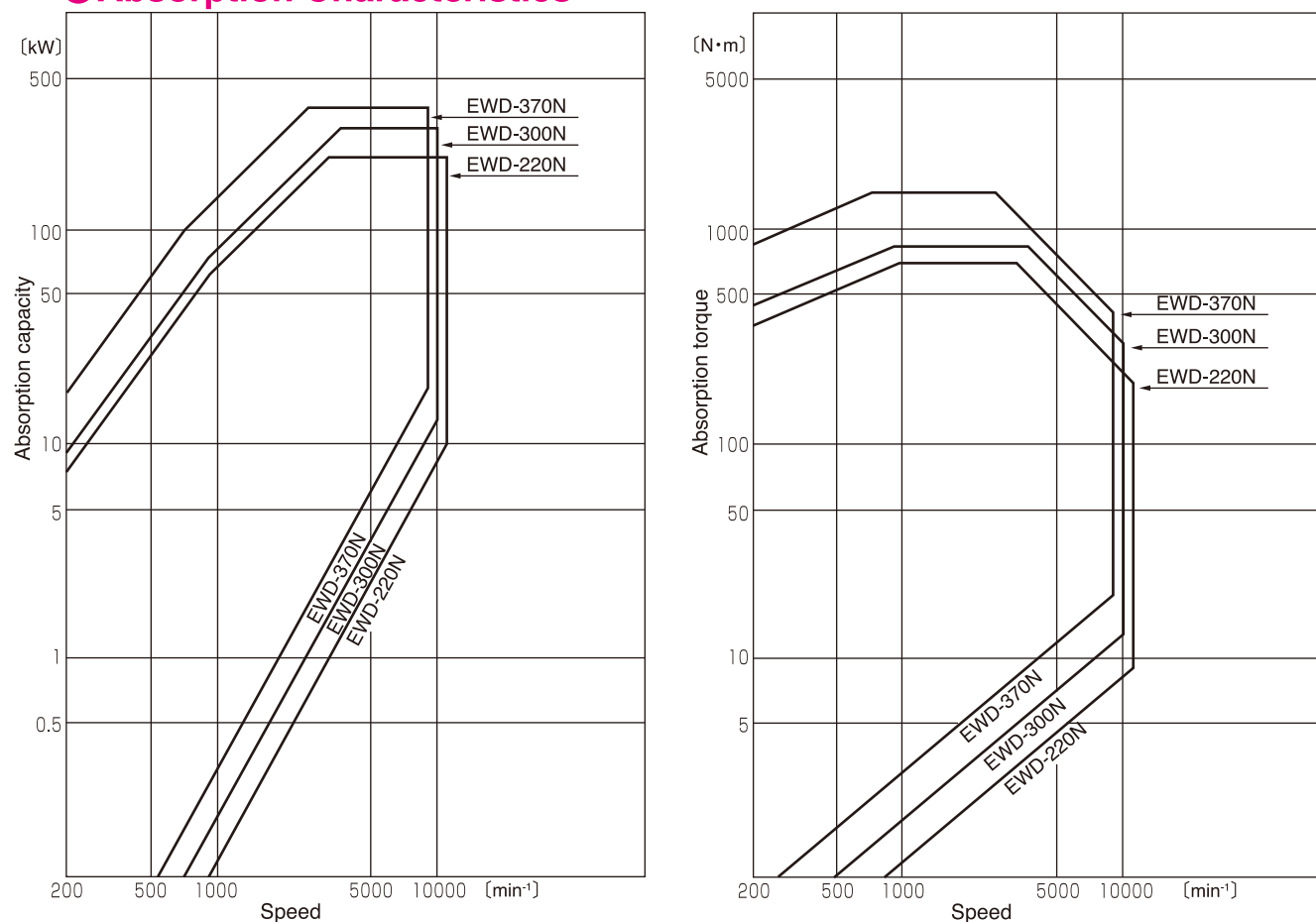
1. EWD-N Series 220~370N



Type	Absorption capacity (kW)	Speed (min ⁻¹)	Absorption torque (Nm)	Constant-torque range (min ⁻¹)	Cooling water flow rate (ℓ/min)	* 1) Moment of inertia J (kg · m ²)	Approx. mass (kg)	Dimensions (mm)					No. of disks
								A	B	C	D	E	
EWD-220N	220	3150 ~ 11000	667	900 ~ 3150	135	0.485	1450	750	1200	500	900	780	1
EWD-300N	300	3550 ~ 10000	807	900 ~ 3550	190	0.603	1500	750	1200	500	930	780	1
EWD-370N	370	2500 ~ 9000	1413	700 ~ 2500	230	1.15	2200	850	1325	600	1100	900	1

* 1. Moment of inertia J is a value for the EDDIC dynamometer single body. (It does not include the values of coupling, etc.)

Absorption Characteristics



EDDIC Dynamometer

High-Speed (EWD-N) Series and Ultra-High-Speed (EWD-R) Series

This Series comprises the high-speed series (EWD-N), applicable to the high-speed testing of auto-related equipment, and the ultra-high-speed series (EWD-R), applicable mainly to race car engines.

Features :

- **High speed**
 - The shaft and disk have been combined in a common body. Its optimal shape was determined through the CAE system.
 - An unbalanced distribution of magnetic flux has been eliminated to reduce the thrust force.
- **Low inertia**
 - The rotor weight has been decreased to reduce the shaft load.
 - The high-speed rotor employs one to four rotor disks, thus reducing the rotor diameter.
 - The rotor cooling characteristics have been improved to make the rotor compact.
- **Minimum possible measuring unit for horsepower**
 - By using an indirect cooling system, the minimum possible horsepower measuring unit has been further decreased.
- **Range of constant torque**
 - A range of constant torque is located in the medium-speed region to achieves an easy-to-use absorption torque characteristic.

Accuracy :

(1) Measuring accuracy

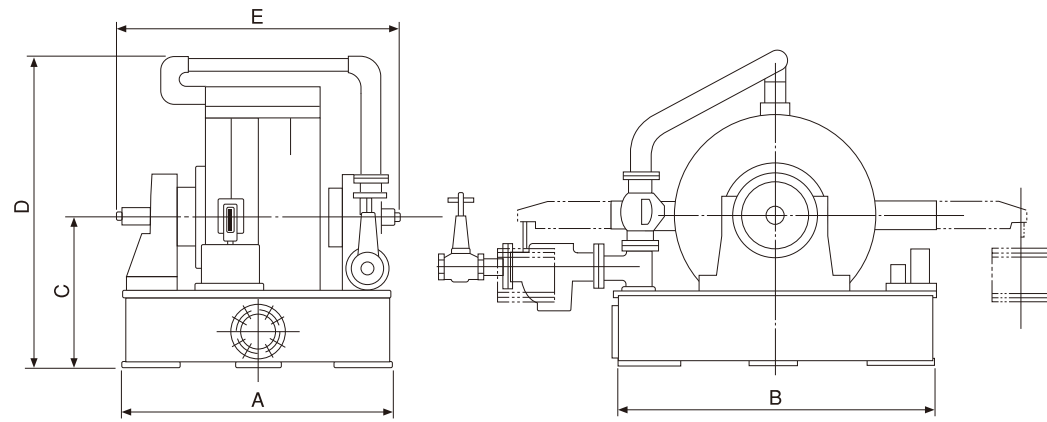
Accuracy	Items	Torque measuring accuracy	Speed measuring accuracy
Overall readout accuracy		±0.5%F.S	±1min ⁻¹

(2) Control accuracy

Items	Control method	Constant speed control system	Constant torque control system
Control range		1~100%Nm	0.5~100%F.S
Setting accuracy		Within ±0.5%Nm Max.	±0.5%F.S Max.
Stability		±0.1%Nm Max.	±0.2%F.S Max.
Setting time		0.2~3sec	0.2~3sec

Nm : Maximum revolving speed F.S : Full scale

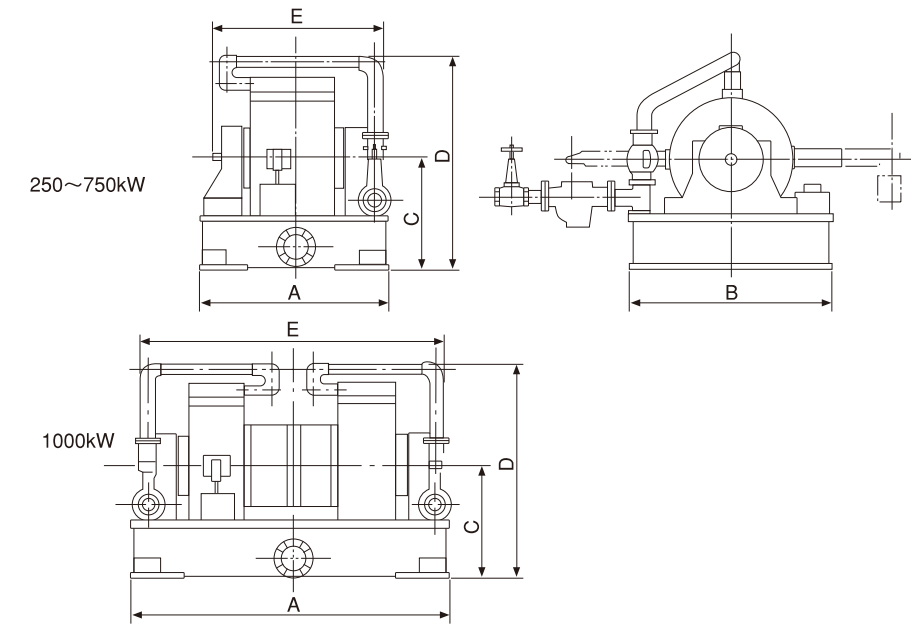
2. EWD-N Series 450~750N



Type	Absorption capacity (kW)	Speed (min ⁻¹)	Absorption torque (Nm)	Constant-torque range (min ⁻¹)	Cooling water flow rate (ℓ/min)	* 1) Moment of inertia J (kg · m ²)	Approx. mass (kg)	Dimensions (mm)					No. of disks
								A	B	C	D	E	
EWD-450N	450	5000~10000	859	2500~5000	270	1.25	3000	1000	1300	650	1150	1000	2
EWD-600N	600	5000~10000	1146	2500~5000	380	1.5	3600	1200	1300	650	1180	1200	2
EWD-750N	750	4000~9000	1790	2000~4000	460	3.0	4500	1400	1300	650	1330	1400	2

* 1. Moment of inertia J is a value for the EDDIC dynamometer single body. (It does not include the values of coupling, etc.)

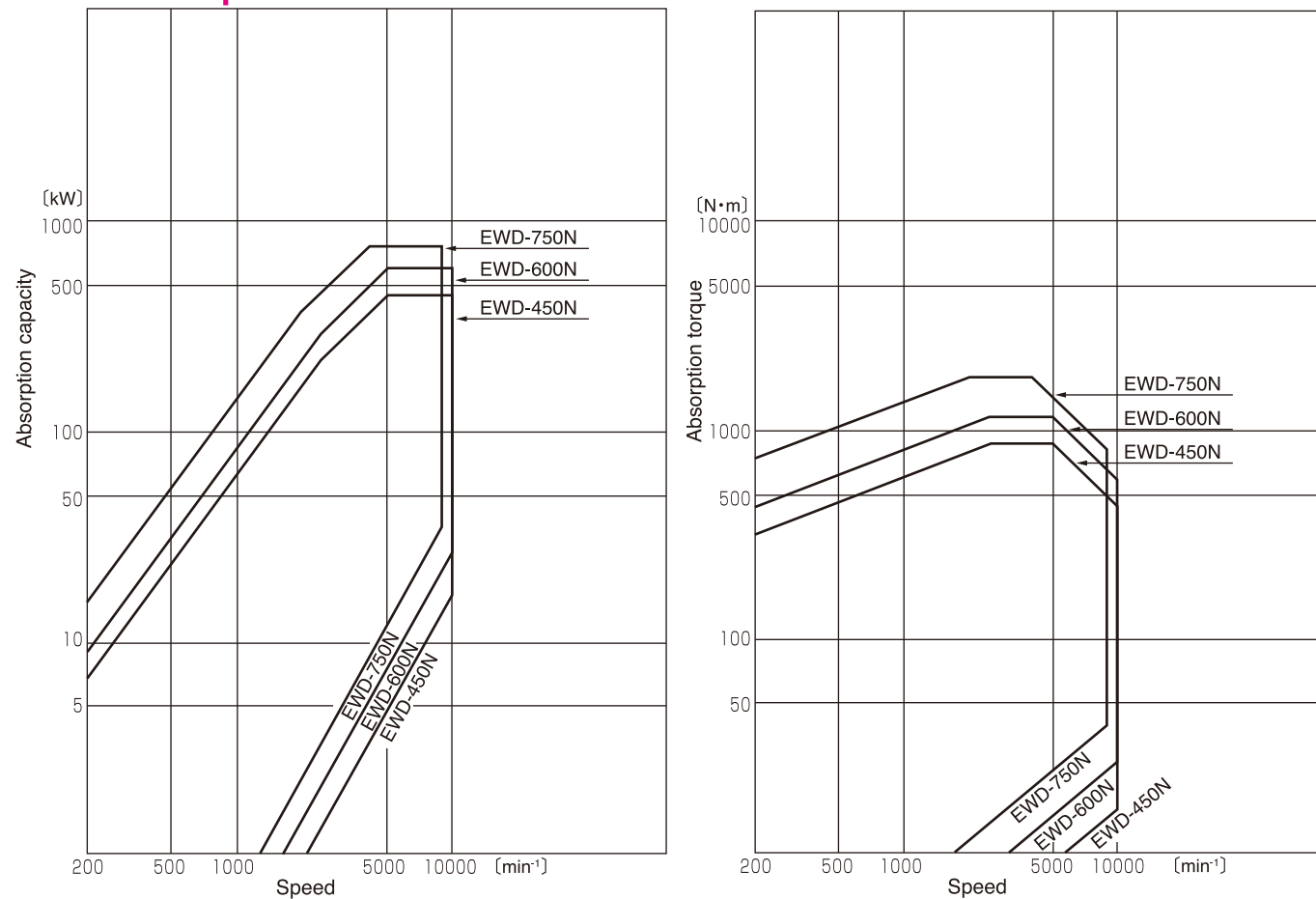
3. EWD-R Series 250~1000R



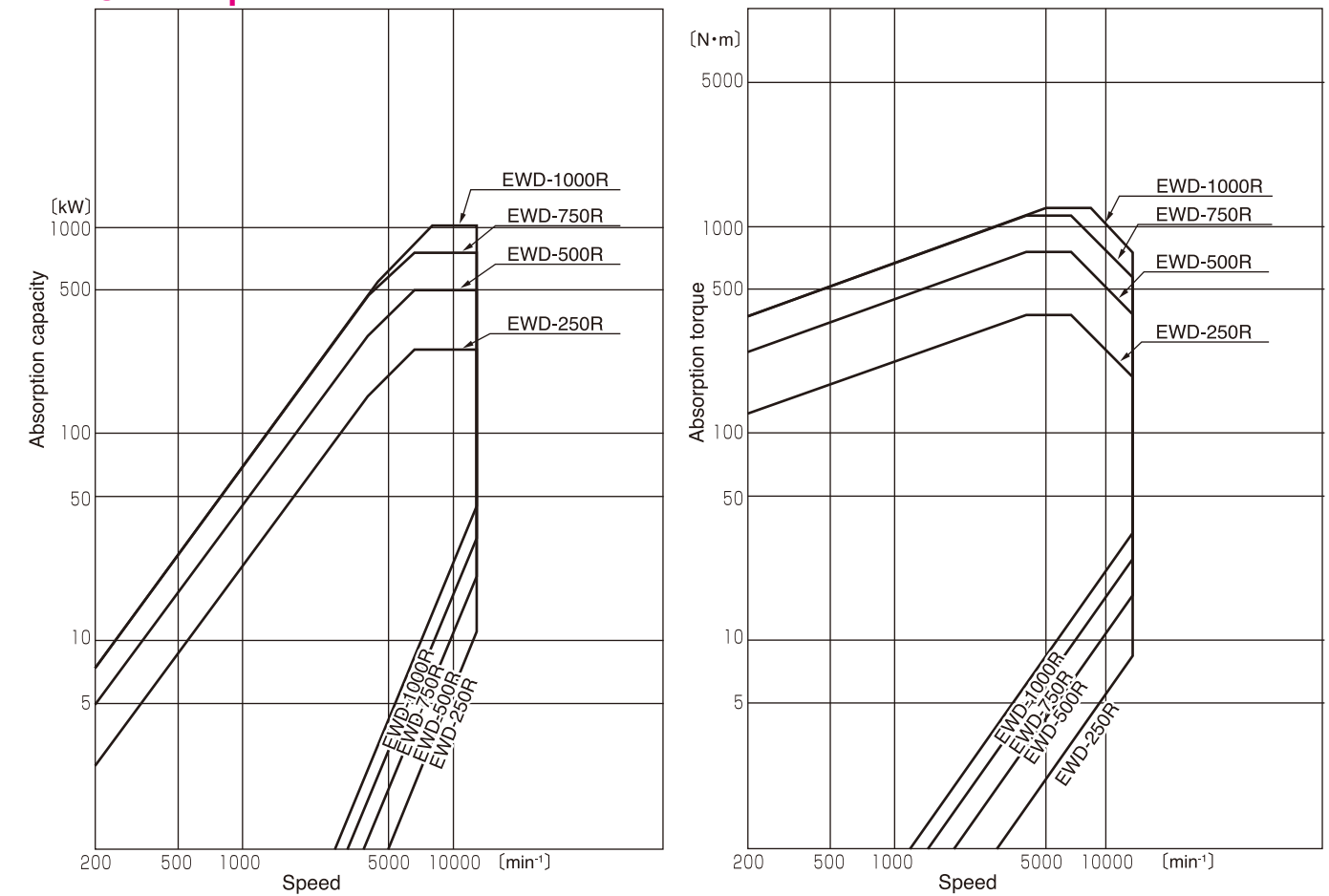
Type	Absorption capacity (kW)	Speed (min ⁻¹)	Absorption torque (Nm)	Constant-torque range (min ⁻¹)	Cooling water flow rate (ℓ/min)	* 1) Moment of inertia J (kg · m ²)	Approx. mass (kg)	Dimensions (mm)					No. of disks
								A	B	C	D	E	
EWD-250R	250	6500~13000	367	4000~6500	160	0.325	2500	860	1300	700	1350	710	1
EWD-500R	500	6500~13000	734	4000~6500	320	0.625	3000	1030	1300	700	1350	880	2
EWD-750R	750	6500~13000	1102	4000~6500	480	0.95	4400	1200	1300	700	1350	1050	3
EWD-1000R	1000	8000~13000	1194	5000~8000	640	1.3	6500	2000	1300	700	1350	1900	4

* 1. Moment of inertia J is a value for the EDDIC dynamometer single body. (It does not include the values of coupling, etc.)

● Absorption Characteristics



● Absorption Characteristics





MEIDENSHA CORPORATION

ThinkPark Tower, 2-1-1, Osaki, Shinagawa-ku, Tokyo, 141-6029 Japan

www.meidensha.com

Overseas Offices & Group Companies

China

DONGGUAN MEIDEN PACIFIC ELECTRICAL ENGINEERING CO., LTD.
No.1 Side Street 1 of DongFu Commercial Street, MoWu, WanJiang District,
Dongguan City, Guangdong 523041 P.R.China
Phone: 86-769-22285210 Facsimile: 86-769-2285250

MEIDEN ZHENGZHOU ELECTRIC CO., LTD.
No.87 Hehuan Street, Zhengzhou Hi-Tech Industries Development Zone,
Zhengzhou, Henan Province, P.C.450001, P.R.China
Phone: 86-371-56971963 Facsimile: 86-371-56971981

MEIDENSHA (SHANGHAI) CORPORATE MANAGEMENT CO., LTD.
17A Global Harbor Office Tower B, No.1188 Kai Xuan North Road,
Putuo District, Shanghai 200063, P.R.China
Phone: 86-21-5306-2200 Facsimile: 86-21-6386-0058

MEIDEN HANGZHOU DRIVE SYSTEMS CO., LTD.
No.168, Hongxing Road, Qiaonan District,
Xiaoshan Economic & Technological Development Zone,
Hangzhou, Zhejiang, P.C. 311231, P.R.China
Phone: 86-571-8369-6808 Facsimile: 86-571-8369-6818

SHANGHAI MEIDENSHA CHANGCHENG SWITCHGEAR CO., LTD.
No.885, Xingrong RD Industrial Zone, Jiading, Shanghai, P.C. 201807,
P.R.China
Phone: 86-21-69169911 Facsimile: 86-21-69169922

Hong Kong

MEIDEN PACIFIC (CHINA) LTD.
Unit 01-02A, 16/F, Tower 1, Ever Gain Plaza,
88 Container Port Road, Kwai Chung, N.T., Hong Kong
Phone: 852-2503-2468 Facsimile: 852-2487-5039

India

MEIDEN INDIA PVT. LTD.
507, 5th Floor, Vatika City Point, MG Road, Gurgaon-122002, Haryana, India
Phone: 91-124-4388916 Facsimile: 91-124-4388930

PRIME MEIDEN LTD.
Prime Tower, 287-288, Udyog Vihar, Phase-II, Gurgaon-122 016, India
Phone: 91-124-4111999 Facsimile: 91-124-4871698

Indonesia

P.T. MEIDEN ENGINEERING INDONESIA
20th Floor, Summitmas I, Jl. Jenderal Sudirman Kaveling 61-62
P.O.BOX 6920/KBY/Summitmas I Jakarta Selatan 12190, Indonesia
Phone: 62-21-520-0612 Facsimile: 62-21-520-0240

Korea

MEIDEN KOREA CO., LTD.
1404 DongHwa Bldg., 71, Yeouinaru-ro, Yeongdeungpo-gu,
SEOUL 150-708 Rep. of KOREA
Phone: 82-2-736-0232~3 Facsimile: 82-2-736-0234

Malaysia

MEIDEN MALAYSIA SDN. BHD.
Unit A-12A-1, Level 12A, Menara UOA Bangsar,
5 Jalan Bangsar Utama 1, 59000 Kuala Lumpur, Malaysia
Phone: 60-3-22878188 Facsimile: 60-3-22879188

MEIDEN METAL ENGINEERING SDN. BHD.
Lot 6, Peringkat 3, Kawasan Perindustrian Alor Gajah, 78000 Melaka, Malaysia
Phone: 60-6-556-8790 Facsimile: 60-6-556-8795

Singapore

MEIDEN ASIA PTE. LTD.
5, Jalan Pesawat, Jurong Industrial Estate, Singapore 619363
Phone: 65-6268-8222 Facsimile: 65-6264-4292

MEIDEN SINGAPORE PTE. LTD.
5, Jalan Pesawat, Jurong Industrial Estate, Singapore 619363
Phone: 65-6268-8222 Facsimile: 65-6264-4292

Thailand

THAI MEIDENSHA CO., LTD.
15th Floor, Rasa Tower II, 555 Phahol Yothin Road, Chatuchak,
Chatuchak, Bangkok 10900, Thailand
Phone: 66-2792-4200 Facsimile: 66-2792-4299

MEIDEN ELECTRIC (THAILAND) LTD.
898 Moo 2, Bangpa-in Industrial Estate, Udomsorayuth Rd.,
Klongjig, Bangpa-in, Ayutthaya 13160, Thailand
Phone: 66-35-258258~262 Facsimile: 66-35-221388

United Arab Emirates

MEIDEN ASIA PTE. LTD. DUBAI BRANCH
Dubai Airport Free Zone, 6WA-606, P.O.Box 54919, Diba,
United Arab Emirates
Phone: 971-4-2146692 Facsimile: 971-4-2146699

Germany

MEIDEN EUROPE GmbH
Carl-von-Linde-Str.38, 85716 Unterschleißheim, Germany
Phone: 49-89-1241-48370 Facsimile: 49-89-1241-48379

TRIDELTA MEIDENSHA GmbH
Marie-Curie-Strasse 3, D-07629, Hermsdorf, Germany
Phone: 49-36601-9328-300 Facsimile: 49-36601-9328-301

The United States

MEIDEN AMERICA, INC.
15800 Centennial Drive, Northville Township, MI 48168, U.S.A.
Phone: 1-734-656-1400 Facsimile: 1-734-459-1863

MEIDEN TECHNICAL CENTER NORTH AMERICA LLC
15810 Centennial Drive, Northville Township, MI 48168, U.S.A.
Phone: 1-734-414-9190 Facsimile: 1-734-414-9181